

Astro Flight Inc.
Reversing Speed Control Model 208D
proudly made in the USA

| | |
|---|-------------------------------|
| Maximum Voltage | 18 Volts |
| Minimum Voltage | 6 volts |
| Maximum Continuous Amps | 30 Amps |
| Electronic current limit | 35 amps |
| BEC (battery eliminator circuit) | 5 volts, 1 amp |
| Power Connectors | Astro Zero Loss |
| Radio Connector | Universal |
| Size | 1.2 x 1.6 x 0.2 inches |
| Weight with wires | 30 grams |
| Weight without wires | 20 grams |

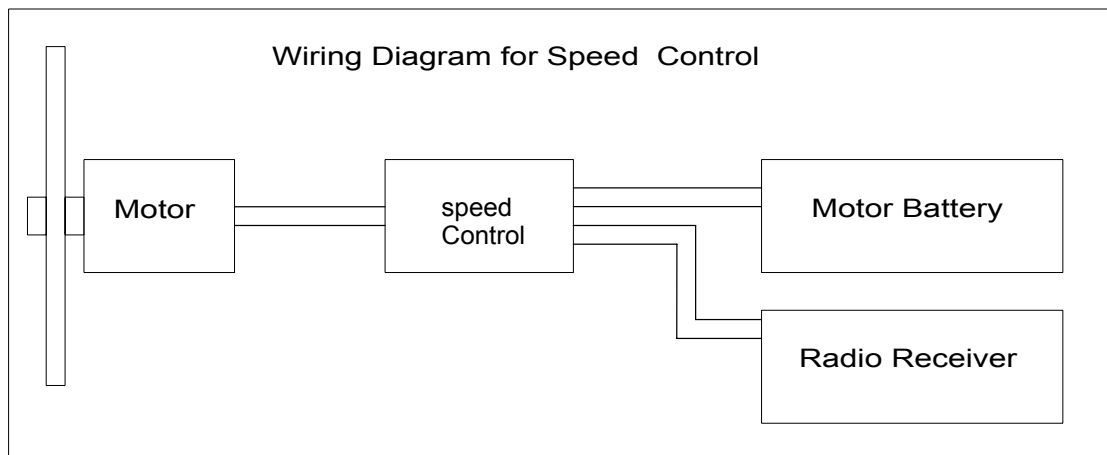
Designed for Scale Electric Boats and Blimps

The Astro Model 208D is specially designed for six to eighteen volt scale electric boats and blimps. The 208D has a five volt battery eliminator circuit so you don't have to carry a separate receiver battery. The BEC circuit limits the control to a minimum of 6 and a maximum of 18 volts. When operating over 12 volts do not use more than one servo to prevent BEC from overheating. The 208D uses high speed switching for minimum heat and maximum efficiency. It operates at a switching rate of 2800 Hertz. It is very efficient at all throttle settings. The control uses a special eight bit micro processor. No adjustments are necessary. The control is set up to work with a two stick r/c unit. Throttle command is "off" for any pulse width between 1.45 and 1.5 milliseconds. Throttle increases to fully "on" at 1.85 milliseconds. Throttle increases to full reverse at 1.1 milliseconds. The eight mosfets used in the full bridge motor drive circuit have a combined resistance of less than 10 milliohms and a single pulse rating of 200 amps. This low resistance lets the control run cool and gives the 208D a continuous current rating of 30 amps. The control is water resistant. This control will handle motors as large as twin Astro 40 Super Ferrite Motors and as small as single 05 car motor.

I would like to thank Doug Ingraham and Garry Powers who helped me with the design of this great new speed control.

I hope you'll have fun with it.

Bob Boucher



Astro Flight Inc.
13311 Beach Ave.
Marina Del Rey, CA 90292
Phone (310) 821-6242, Fax (310) 822-6637
Astro Web Site at <http://www.astroflight.com>